



tkUCE				
	<b>Order Enclosure "S and C"</b> Packing for switchgears and cabinets			Standard Version Projects Type I & II
				Page 1 of 6


Packing instructions for switchgears and cabinets for non-seaworthy packing

00		Order Encl. S and C	31.10.18	Y. Celik	01.11.18	A. Große-Bley	08.11.18	R. Schuster	-
Rev.	Status	Description	Date	Prepared	Date	Checked	Date	Approved	AC
				Barcode					Category Code:

	<b>Order Enclosure "S and C"</b> Packing for switchgears and cabinets			
				REV. <b>00</b> Page <b>2</b> of <b>6</b>

**Contents**


<b>1</b>	<b>Definitions .....</b>	<b>3</b>
<b>2</b>	<b>Packing .....</b>	<b>4</b>
<b>3</b>	<b>Marking .....</b>	<b>6</b>

	<b>Order Enclosure “S and C”</b> Packing for switchgears and cabinets			
				REV. 00 Page 3 of 6

## 1 Definitions

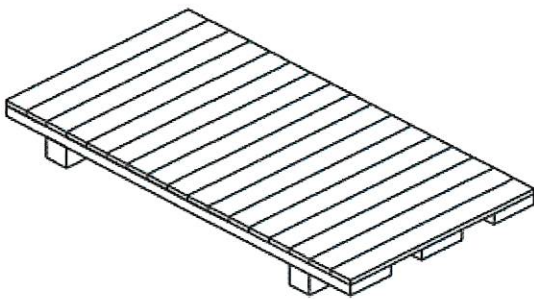
In this Document, the following capitalized terms shall have the following meaning, unless the context indicates otherwise:

- CONTRACTOR shall mean thyssenkrupp Uhde Chlorine Engineers GmbH, Vosskuhle 38 - Harpen House, 44141 Dortmund, Germany
  - SUPPLIER shall mean the persons, companies or corporations named as such in the PURCHASE ORDER and their successors and permitted assigns, being liable for any obligations arising out of the PURCHASE ORDER
  - PURCHASE ORDER shall mean the purchase order document for the PLANT issued by the CONTRACTOR to the SUPPLIER, including its attachments, as specified in the Additional Terms and Contition of Purchase
  - SUPPLIES shall mean the equzpmnt, materials, machineries, items and/or (as applicable) anything to be delivered by the SUPPLIER as set forth in the PURCHASE ORDER
-

	<b>Order Enclosure "S and C"</b> <b>Packing for switchgears and cabinets</b>			REV. 00 Page 4 of 6

## 2 Packing

The non-seaworthy packing of your equipment must be in strict accordance to this instruction containing detailed descriptions and sample drawings shown on the following pages.

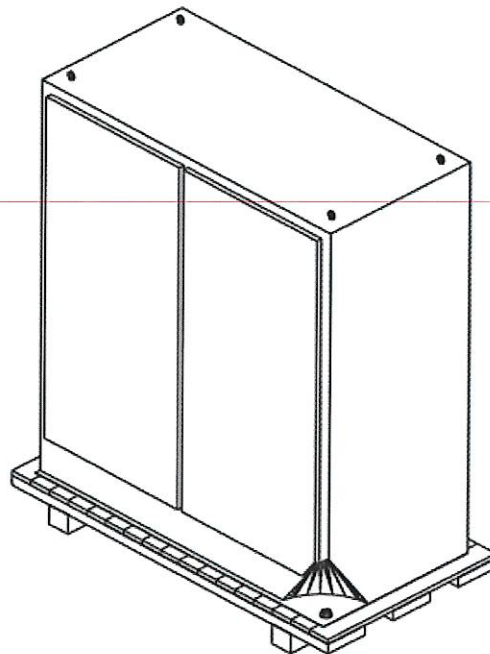



Picture 1.

The pallet must exceed the outer dimension of S or C by 5 cm or 2 Inch to each side

Picture 2.

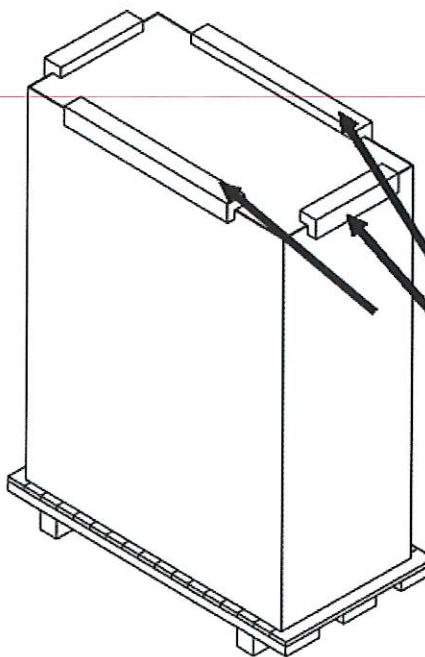
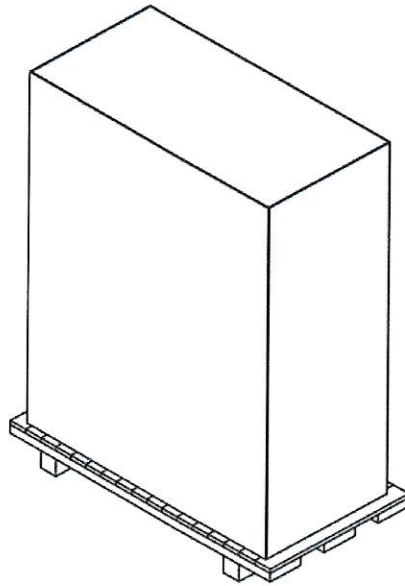
The S or C must be fixed on each corner with bolts, washers and screws on the pallet



	<b>Order Enclosure "S and C"</b> <b>Packing for switchgears and cabinets</b>			REV. 00 Page 5 of 6

Picture 3.

The S or C is to cover completely with cardboard



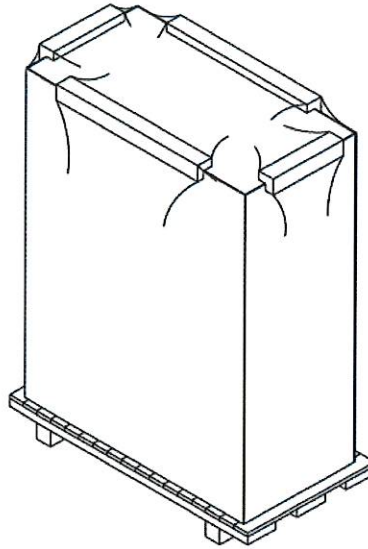
Picture 4.

The S or C is to protect with plastic or foam edges

Picture 5.

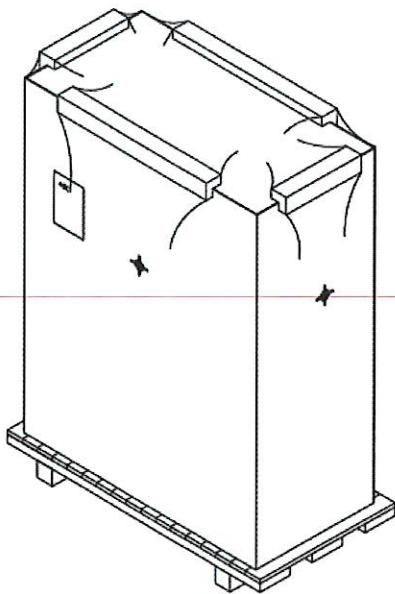
The S or C is to cover completely with plastic foil

Note :  
The plastic or foam edges must be completely under the plastic foil



Picture 6.

The S or C is to mark with centre of gravity ( all four sides ), shipping mark and tilt indicator



The necessary Tilt Indicators will be delivered free of charge by our packing company

### 3 Marking

Components have to be marked according to the "Additional Terms and Conditions of Purchase", Shipping and Packing Instructions and 'Order enclosure "V" '.