




tkUCE				
	Order Enclosure "F" Packing for piping and piping bulk material			Standard Version Projects Type I & II
	Page 1 of 6			

00		Order Encl. "F"	21.10.18	Y. Celik	01.11.18	A. Große-Bley	02.11.18	R. Schuster	-
Rev.	Status	Description	Date	Prepared	Date	Checked	Date	Approved	AC
				Barcode					Category Code:

	Order Enclosure "F" Packing for piping and piping bulk material			
				REV. 00 Page 2 of 6

Contents


1	Definitions	3
2	Packing	4
3	Marking	6

	Order Enclosure "F" Packing for piping and piping bulk material			
				REV. 00 Page 3 of 6

1 Definitions

In this Document, the following capitalized terms shall have the following meaning, unless the context indicates otherwise:

- CONTRACTOR shall mean thyssenkrupp Uhde Chlorine Engineers GmbH, Vosskuhle 38 - Harpen House, 44141 Dortmund, Germany
- SUPPLIER shall mean the persons, companies or corporations named as such in the PURCHASE ORDER and their successors and permitted assigns, being liable for any obligations arising out of the PURCHASE ORDER
- PURCHASE ORDER shall mean the purchase order document for the PLANT issued by the CONTRACTOR to the SUPPLIER, including its attachments, as specified in the Additional Terms and Contition of Purchase
- SUPPLIES shall mean the equipment, materials, machineries, items and/or (as applicable) anything to be delivered by the SUPPLIER as set forth in the PURCHASE ORDER

	Order Enclosure "F" Packing for piping and piping bulk material			
				REV. 00 Page 4 of 6

2 Packing

For each purchase order, each order position is to be packed separately and is to be labelled with an adhesive loose part label furnished by our appointed packing company in accordance with the shipping instructions. The packing shall be in compliance with the terms of delivery.

The packing shall be effected either seaworthy or for local transport non seaworthy.


Do not use any reusable package / packaging materials (skeleton containers, EURO-exchange pallets etc.). Use disposable packages only. Should, contrary to these provisions, reusable packing be used, SUBCONTRACTOR will not cover any cost incurred by such reusable packing.

2.1 seaworthy packing

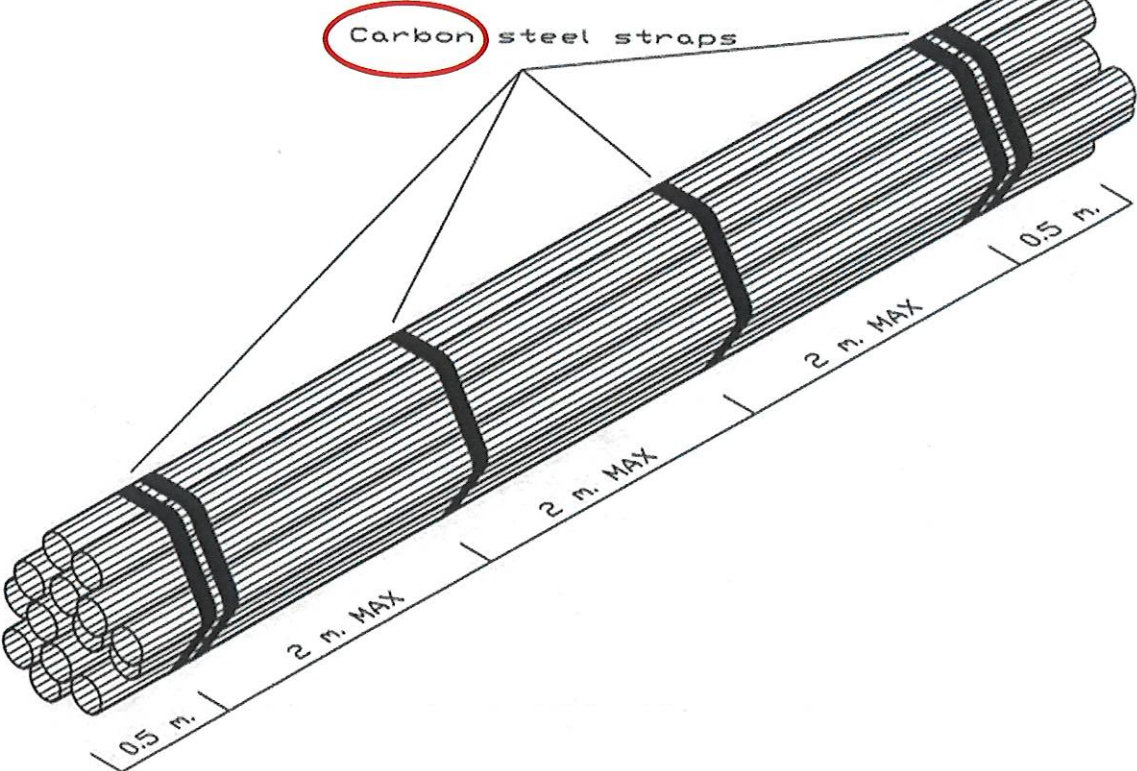
CS- and SS-Pipes and / or Piping Bulk Material (e.g. valves, flanges etc.) must be packed as per SUBCONTRACTOR's Packing Instructions ES 10 MS-ST-01 and in accordance with Orderenclosure "V" Export Packing


2.2 non-seaworthy packing

CS- and SS-Pipes Pipes with a diameter up to 325 mm must be packed according the following sketch:

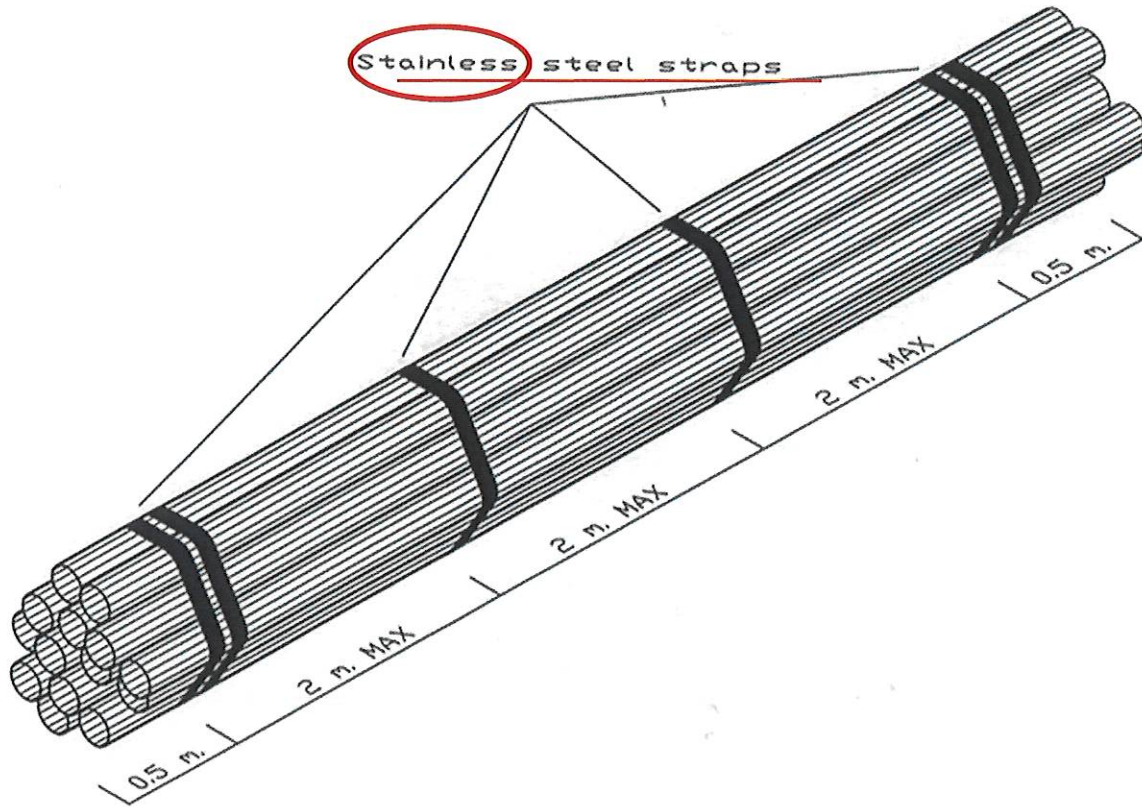
	Order Enclosure "F" Packing for piping and piping bulk material			REV. 00 Page 5 of 6

C S – pipes



	Order Enclosure "F" Packing for piping and piping bulk material			
				REV. 00 Page 6 of 6

S S – pipes



2.3 Pipes with a diameter exceeding 325 mm will be sent loose.

3 Marking

Components are to be marked according to the "Additional Terms and Conditions of Purchase", shipping and packing instructions and Order Enclosure "V".